



ODC 616TM

OUTDOOR DISCOVERY CRAFTTM

ASSEMBLY INSTRUCTIONS

THIS BOX CONTAINS:

STEEL FRAME

- (1) Left Frame Member
- (1) Right Frame Member
- (1) Plastic Seat Back
- (1) Plastic Seat Bottom
- (2) Seat Assembly Pins
- (4) Seat Screws
- (1) U-Bar
- (1) Rear Frame Bar
- (8) Short Snap Pins

PONTOONS

- (1) Left Pontoon
- (1) Right Pontoon

Each Pontoon consists of 840 Denier Nylon Cover with integral Side Storage Pockets, Straps and Cam-lock Buckles to secure the Frame, and Main Bladder with Valve Insert and Valve Plate all preassembled.

PATCH KIT
WARRANTY CARD

ODC 616™

OUTDOOR DISCOVERY CRAFT™

ASSEMBLY INSTRUCTIONS

I. SEAT ASSEMBLY

1. Assemble Seat Back to Seat Bottom using Seat Assembly Pins (see figure 1a).

II. ASSEMBLE FRAME

NOTE: Your Frame Assembles using (8) Short Snap Pins. Please follow instructions accordingly.

1. Assemble Seat to Seat Support Frame Member using (4) Seat Screws. (See Figure 1a)
2. Assemble Seat Support Frame Member to Left and Right Frame Members using (4) of the Short Snap Pins while at the same time inserting Rear Frame Bar in to Left and Right Frame Members using (2) Short Snap Pins (see figure 1).
3. Assemble U-Bar to Left and Right Frame Members using (2) Short Snap Pins (see figures 1).

III. PONTOON INFLATION (PUMP NOT INCLUDED)

NOTE: See figure 3b for a detail of the valve assembly. **Before inflation, be sure to fully seat each valve assembly into the Pontoon, screwing tightly by hand. When fully seating Valve Assembly, be sure that the Valve Plate is in place around Valve Assembly and not restricting the Valve Assembly from a full seal. After inflating, be sure to fully seat the top cap on to each Valve Assembly, screwing tightly by hand. Both are required for an airtight seal.**

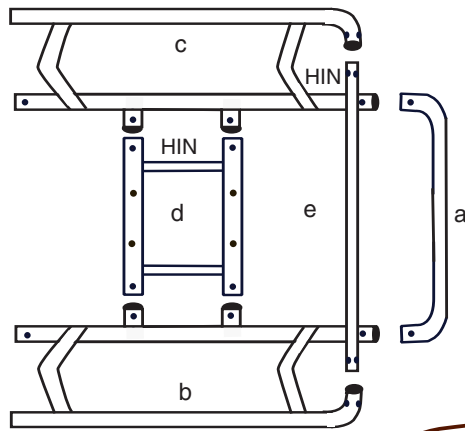
1. Inflate each Pontoon. The Valve is located inside the Storage Pocket of each Pontoon. Inflate until firm (do not over inflate). Pump is available from the Creek Company or most sporting good stores.
2. **Again, be sure top Valve Cap and Valve Assembly are fully seated.**

PONTOON DEFLATION: Unscrew entire Valve Assembly from Pontoon.

IV. ATTACH PONTOONS TO FRAME

NOTE: Always inflate the Pontoons first, before attaching to Frame.

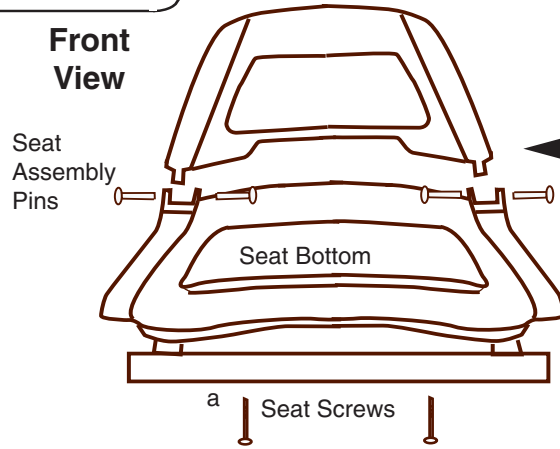
1. Position inflated Pontoons under the Left and Right Frame Members with ODC 616™ logos oriented to the outside. The Frame Members fit around the Storage Pockets.
2. Attach Pontoons to Frame as illustrated in figures 3 and 3a. **NOTE:** Be sure the straps are pulled tight through the Cam-lock Buckles. Frame should be positioned forward or aft on the Pontoons to achieve center of gravity for an even ride when fully loaded on the water.



Front View

**Fig. 1
Frame assembly**

- a. U-Bar
- b. Left Frame Member
- c. Right Frame Member
- d. Seat Support Frame Member
- e. Rear Frame Bar



**Fig. 1a
Seat assembly**

- a. Seat Support Frame Member

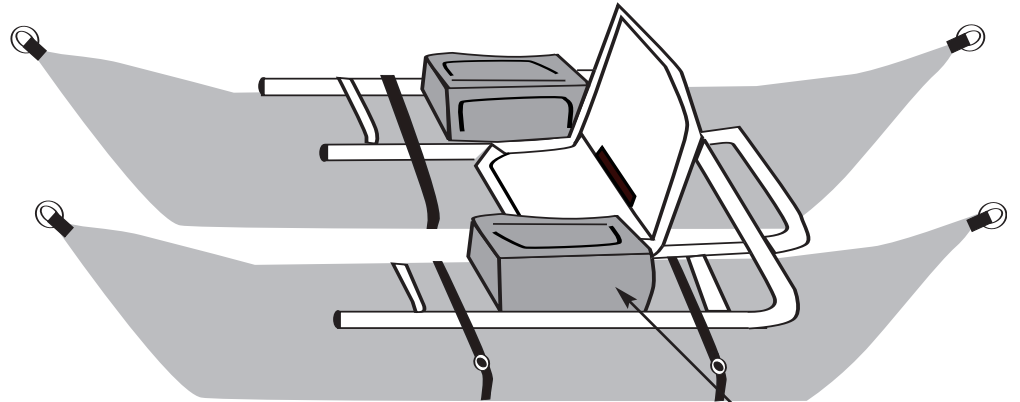


**Fig. 2
Detail of Snap Pin
installation**

All Frame parts attach with Snap Pins.
Your Frame assembles using (8) Short Snap Pins. Please follow instructions accordingly.

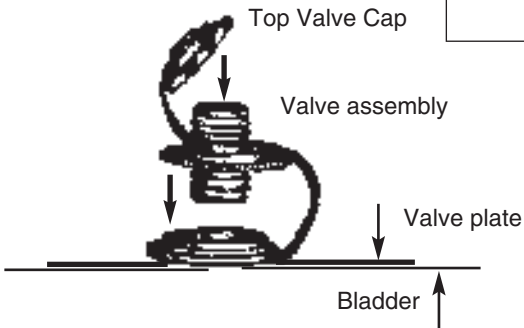
**Fig. 3
Pontoon-to-Frame
attachment**

Frame slips over two Storage Pockets



Valve inside Storage Pockets

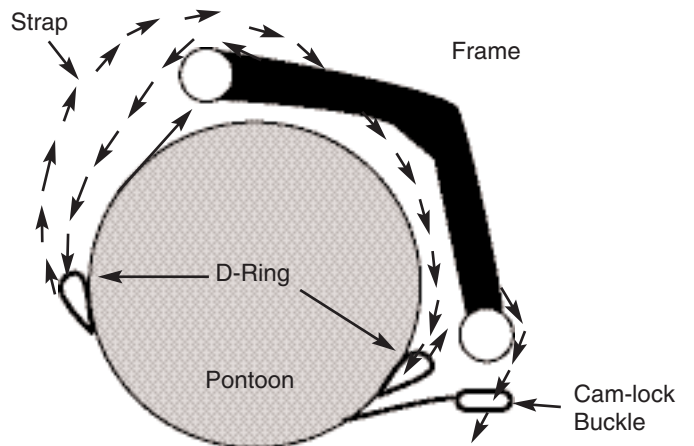
**Fig. 3b
Valve insert
detail**



Footbars and Rowing Kit is available for your ODC 616™

Visit www.CreekCompany.com for details or call 970-879-5221 x103

**Fig. 3a
Pontoon-to-frame attachment**
Detail of Strap and Cam-lock Buckle.



ODC 616™

OUTDOOR DISCOVERY CRAFT™

Your ODC Outdoor Discovery Craft™ is designed to give you many years of service.

Please follow inflation instructions and warnings carefully.

IF YOU EVER HAVE ANY QUESTIONS OR PROBLEMS WITH YOUR ODC 616™ PLEASE DO NOT RETURN IT TO THE DEALER YOU BOUGHT IT FROM. PLEASE CONTACT THE CREEK COMPANY DIRECTLY TOLL FREE AT 1-800-843-8454. WE ARE OPEN M-F 9AM-5PM MOUNTAIN TIME. OR CONTACT US VIA E-MAIL AT INFO@CREEKCOMPANY.COM.

HIN IS LOCATED ON SEAT SUPPORT FRAME MEMBER AND ON RIGHT MAIN FRAME MEMBER (SEE FIGURE 1)

Warning:

Please read and follow carefully.

1. Always wear a US Coast Guard approved personal flotation device when in your ODC 616™.
2. Never float alone.
3. Always check your ODC 616™ Air Bladders, outer skin and stitching for possible damage before you use your craft.
4. Never use your craft if you suspect the Air Bladders, outer skin or stitching has been damaged.
5. Never overinflate your ODC 616™.
6. Never use your ODC 616™ without the Pontoons fully inflated.
7. Your ODC 616™ is not designed for use in salt water.

CARE AND MAINTENANCE:

1. If your Pontoon Bladder is losing air, please check that Valve Assembly and Top Valve Cap are fully seated. Reseat valve assembly and repeat pontoon inflation instructions.
2. Do not store your ODC 616™ in direct sunlight.
3. If you are leaving your ODC 616™ out in the sun for any amount of time, be aware that the heat can increase the pressure inside the Pontoons to a dangerous level. Let some of the air out of the pontoons if the craft will be out of the water in the sun for any length of time, or if it is stored in a vehicle, etc.
4. A gain in altitude will increase the pressure in the Pontoons also. If you are taking your inflated ODC 616™ from a low elevation to a high elevation, be sure to let some of the air out of it.
5. For short term storage, we recommend you let some air out of your Pontoons.
6. For long term storage, we recommend you make sure your ODC 616™ is completely dry, deflated and stored out of the sunlight in a cool dry area.. Do not store your wet ODC 616™ in freezing temperatures as this may result in Frame and other component damage.
7. Repairing Bladder, use enclosed patch kit. Identify puncture. Fully deflate Bladder. Clean and dry area around puncture. Apply glue to puncture area and patch using applicator straw. Press patch over puncture area. Allow 24 hours to dry, before inflating.
8. Note: Metal parts may rust and are not covered under warranty.



Accessories are available for your ODC 616™. Ask for them where you bought your ODC 616™, or visit the Creek Company Store at www.CreekCompany.com

The Creek Company Ltd. , PO Box 773892, Steamboat Springs, CO 80477

email: info@CreekCompany.com • Made in China

Specifications and other details subject to change without notice.

All Creek Company products are guaranteed against defects in material and workmanship for the life of the product to the original owner. This does not cover damage due to misuse or normal wear and tear.