



# ODC SPORT XR™

## OUTDOOR DISCOVERY CRAFT™

# ASSEMBLY INSTRUCTIONS

### THIS BOX CONTAINS:

#### STEEL FRAME

- (1) Left Frame Member
- (1) Right Frame Member
- (1) Seat Support Frame Member with Padded Bottom
  - (1) Seat Back Frame
  - (1) Padded Seat Back
  - (2) Foot Bars

- (1) Rigid Grid Cargo Deck with Motor Mount

- (1) Stripping Apron
- (12) Short Snap Pins
- (2) Long Snap Pins

#### OARS & OARLOCKS

- (1) Pair 6-foot 2 piece Oars
- (1) Pair Clamp-on Oarlocks

#### PONTOONS

- (1) Left Pontoon
- (1) Right Pontoon
- (8) Cam Lock Straps

Each Pontoon consists of 840 Denier Nylon Cover with integral Side Storage Pockets, and Main Bladder with Valve Insert and Valve Plate all preassembled.

#### PUMP

Complete with a set of Adaptors

#### PATCH KIT

#### WARRANTY CARD

# ODC SPORT XR™

## OUTDOOR DISCOVERY CRAFT™

### ASSEMBLY INSTRUCTIONS

#### I. ASSEMBLE FRAME

**NOTE:** Your Frame Assembles using (2) Long Snap Pins and (12) Short Pins. Please follow instructions accordingly.

1. Assemble Padded Seat Back (see figure 1a) by sliding Padded Seat Back over the Frame Member.
2. Assemble Seat Support Frame Member to Left and Right Frame Members using (4) of the Short Snap Pins (see figures 1 and 2.)
3. Assemble Cargo Deck to Left and Right Frame Members using (2) Short Snap Pins (see figures 1 and 2).
4. Assemble Foot Bars to Left and Right Frame Members using (2) Short Snap Pins (see figures 1 and 2).
5. Assemble Padded Seat Bottom to Seat Support Frame Member (see figure 1a and 2) using (4) Short Snap Pins.
6. Hold the Padded Seat Back vertically and attach to Padded Seat Bottom using (2) Long Snap Pins (see figures 1a and 2). After assembly, Seat Back can pivot forward to fold seat down and pivot back to stop in a sitting position.

#### II. PONTOON INFLATION

**NOTE:** Use the large cone Adaptor provided with your Pump. See figure 3b for a detail of the Valve Assembly. **Before inflation, be sure to fully seat each Valve Assembly into the Pontoon, screwing tightly by hand. When fully seating Valve Assembly, be sure that the Valve Plate is in place around Valve Assembly and not restricting the Valve Assembly from a full seal. After inflating, be sure to fully seat the top cap on to each Valve Assembly, screwing tightly by hand. Both are required for an airtight seal.**

1. Inflate each Pontoon. The Valve is located inside the Storage Pocket of each Pontoon.(see figure 3). Inflate until firm (do not over inflate).
2. **Again, be sure top Valve Cap and Valve Assembly are fully seated.**

**PONTOON DEFLATION:** Unscrew entire Valve Assembly from Pontoon.

#### III. ATTACH PONTOONS TO FRAME

**NOTE:** Always inflate the Pontoons first, before attaching to Frame.

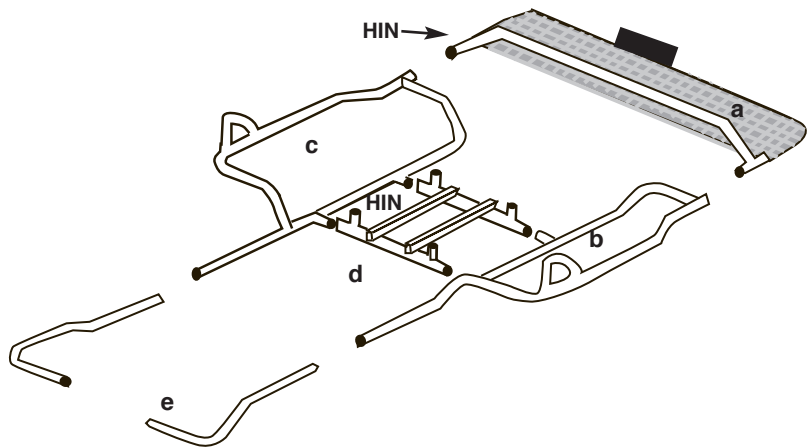
1. Position inflated Pontoons under the Left and Right Frame Members with ODC Sport XR™ logos oriented to the outside. The Frame Members fit around the Storage Pockets.
2. Attach Pontoons to Frame as illustrated in figures 3 and 3a. **NOTE:** Be sure the Straps are pulled tight through the Cam-lock Buckles. Frame should be positioned forward or aft on the Pontoons to achieve center of gravity for an even ride when fully loaded on the water.

#### IV. OAR & OARLOCK ASSEMBLY

1. Loosen the wingnut on the Oarlock and slide the Oarlock onto the handle end of the Oar Shaft.
2. Attach blade end of Oar Handle to end of Oar.
3. Place Oarlock Shafts into Frame.
4. With the Oarlocks installed on the Frame, the oars should be equally adjusted left and right allowing at least two thumbs' distance between the Oars, to avoid pinching your thumbs when rowing. With the blades perpendicular to the water, tighten the wingnuts.

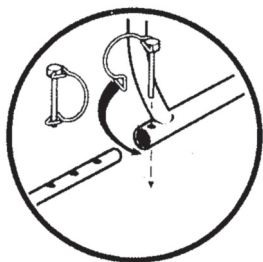
#### V. ATTACH STRIPPING APRON TO FRAME

1. Snap front two Straps around the Frame underneath the Oarlocks, and snap the back two Straps to the Seat Back Frame. just below the Padded Back and just above the Seat Bottom Frame.

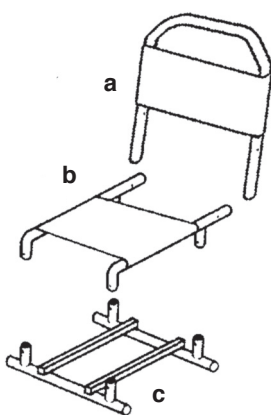


**Fig. 1**  
**Frame assembly**  
 a. Cargo Deck with Motor Mount  
 b. Left Frame Member  
 c. Right Frame Member  
 d. Seat Support Frame Member  
 e. Foot Bars

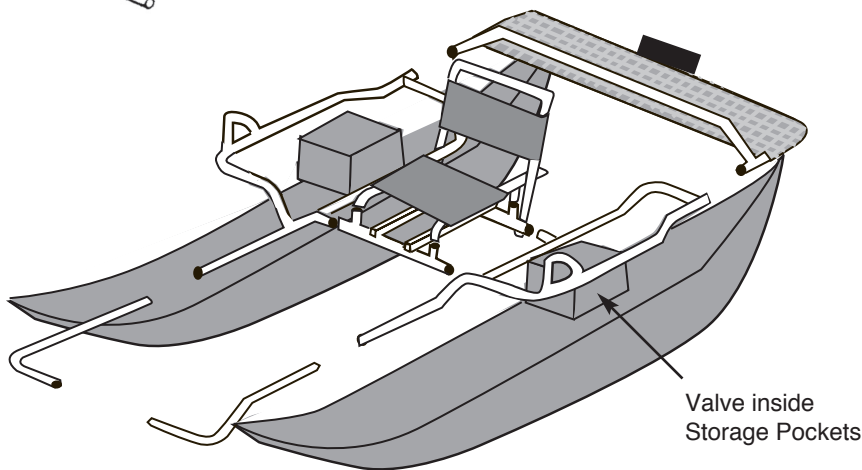
Anchor Drop and Rod Holder are available for your ODC SPORT XR™. Visit [www.CreekCompany.com](http://www.CreekCompany.com) for details or call 970-879-5221 x 300



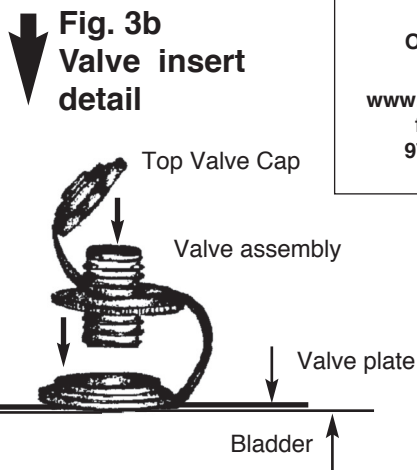
**Fig. 2**  
**Detail of Snap Pin installation**  
 All Frame parts attach with Snap Pins. Your Frame assembles using (2) Long Snap Pins and (12) Short Snap Pins. Please follow instructions accordingly.



**Fig. 1a**  
**Seat Frame assembly**  
 a. Padded Seat Back and Frame Member. (assembly required)  
 b. Padded Seat Bottom ( preassembled)  
 c. Seat Support Member



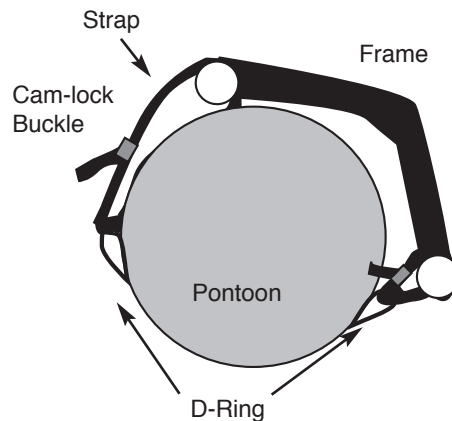
**Fig. 3**  
**Pontoon-to-Frame attachment**  
 Frame slips over two Storage Pockets



**Fig. 3b**  
**Valve insert detail**

Slide through Oarlocks and 6 1/2 foot Oars are available for your ODC SPORT XR™. Visit [www.CreekCompany.com](http://www.CreekCompany.com) for details or call 970-879-5221x 300

**Fig. 3a**  
**Pontoon-to-frame attachment**  
 Detail of Camlock Strap



# ODC SPORT XR™

## OUTDOOR DISCOVERY CRAFT™

Your ODC Outdoor Discovery Craft™ is designed to give you many years of service.

Please follow inflation instructions and warnings carefully.

**IF YOU EVER HAVE ANY QUESTIONS OR PROBLEMS WITH YOUR ODC SPORT XR™ PLEASE DO NOT RETURN IT TO THE DEALER YOU BOUGHT IT FROM. PLEASE CONTACT THE CREEK COMPANY DIRECTLY TOLL FREE AT 1-800-843-8454. WE ARE OPEN M-F 9AM-5PM MOUNTAIN TIME. OR CONTACT US VIA E-MAIL AT INFO@CREEKCOMPANY.COM.**

**HIN IS LOCATED ON SQUARE TUBING OF SEAT SUPPORT FRAME MEMBER AND ON RIGHT MAIN FRAME MEMBER (SEE FIGURE 1)**

## Warning:

Please read and follow carefully.

1. Always wear a US Coast Guard approved personal flotation device when in your ODC SPORT XR™.
2. Never float alone.
3. Always check your ODC SPORT XR™ Air Bladders, outer skin and stitching for possible damage before you use your craft.
4. Never use your craft if you suspect the Air Bladders, outer skin or stitching has been damaged.
5. Never overinflate your ODC SPORT XR™.
6. Never use your ODC SPORT XR™ without the Pontoons fully inflated.
7. Your ODC SPORT XR™ is not designed for use in salt water.

## CARE AND MAINTENANCE:

1. If your Pontoon Bladder is losing air, please check that Valve Assembly and Top Valve Cap are fully seated. Reseat valve assembly and repeat pontoon inflation instructions.
2. Do not store your ODC SPORT XR™ in direct sunlight.
3. If you are leaving your ODC SPORT XR™ out in the sun for any amount of time, be aware that the heat can increase the pressure inside the Pontoons to a dangerous level. Let some of the air out of the pontoons if the craft will be out of the water in the sun for any length of time, or if it is stored in a vehicle, etc.
4. A gain in altitude will increase the pressure in the Pontoons also. If you are taking your inflated ODC SPORT XR™ from a low elevation to a high elevation, be sure to let some of the air out of it.
5. For short term storage, we recommend you let some air out of your pontoons.
6. For long term storage, we recommend you make sure your ODC SPORT XR™ is completely dry, deflated and stored out of the sunlight in a cool dry area. Do not store your wet ODC SPORT XR™ in freezing temperatures as this may result in Frame and other component damage.
7. Repairing Bladder, use enclosed patch kit. Identify puncture. Fully deflate Bladder. Clean and dry area around puncture. Apply glue to puncture area and patch using applicator straw. Press patch over puncture area. Allow 24 hours to dry, before inflating.
8. Note: Metal parts may rust and are not covered under warranty.
9. We recommend the use of electric trolling motors only on your ODC SPORT XR™.
10. Do not use the Cargo Deck as a Standing Platform. It is not designed for this and may break if used in this capacity.



Accessories are available for your ODC SPORT XR™. Ask for them where you bought your ODC SPORT XR™, or visit the Creek Company Store at [www.CreekCompany.com](http://www.CreekCompany.com)

**The Creek Company Ltd. , PO Box 773892, Steamboat Springs, CO 80477**

email: [info@CreekCompany.com](mailto:info@CreekCompany.com) • Made in China

Specifications and other details subject to change without notice.

All Creek Company products are guaranteed against defects in material and workmanship for the life of the product to the original owner. This does not cover damage due to misuse or normal wear and tear.