



ODC SUPERSPORT™

OUTDOOR DISCOVERY CRAFT™

ASSEMBLY INSTRUCTIONS

THIS BOX CONTAINS:

STEEL FRAME

- (1) Left Frame Member
- (1) Right Frame Member
- (1) Plastic Seat Back
- (1) Plastic Seat Bottom
- (2) Seat Assembly Pins
- (4) Seat Screws
- (2) Foot Bars
- (1) Rear Frame Member
- (1) Mesh Cargo Deck
- (1) Stripping Apron
- (8) Short Snap Pins

OARS & OARLOCKS

- (1) Pair 6-foot 2 piece Oars
- (2) Pair Clamp-on Oarlocks
- (2) Oarlock Bushings

PONTOONS

- (1) Left pontoon
- (1) Right pontoon

Each pontoon consists of 840 denier nylon cover with integral side storage pockets, straps and cam-lock buckles to secure the frame; and main bladder with valve insert and valve plate all preassembled.

PUMP

Complete with a set of adapters

PATCH KIT

WARRANTY CARD

ODC SUPERSPORT™

OUTDOOR DISCOVERY CRAFT

ASSEMBLY INSTRUCTIONS

I. PADDED SEAT ASSEMBLY

1. Assemble Seat Back to Seat Bottom using Seat Assembly Pins (see figure 1a).

II. ASSEMBLE FRAME

NOTE: Your Frame Assembles using (8) Short Snap Pins. Please follow instructions accordingly.

1. Assemble Cargo Deck by sliding Mesh Cargo Deck over Frame Member (see figure 1) and secure using attached Hook and Loop and Ladder Lock / Strap Fasteners.
2. Assemble Seat to Seat Support Frame Member using (4) Seat Screws. (See Figure 1a)
3. Assemble Seat Support Frame Member to Left and Right Frame Members using (4) of the Short Snap Pins. (see figure 1)
4. Assemble Cargo Deck to Left and Right Frame Members using (2) Short Snap Pins (see figure 1).
5. Assemble Foot Bars to Left and Right Frame Members using (2) Short Snap Pins (see figures 1).

III. PONTOON INFLATION

NOTE: Use the large cone adaptor provided with your Pump. See figure 3b for a detail of the valve assembly. **Before inflation, be sure to fully seat each valve assembly into the Pontoon, screwing tightly by hand. When fully seating Valve Assembly, be sure that the Valve Plate is in place around Valve Assembly and not restricting the Valve Assembly from a full seal. After inflating, be sure to fully seat the top cap on to each Valve Assembly, screwing tightly by hand. Both are required for an airtight seal.**

1. Inflate each Pontoon. The Valve is located inside the Storage Pocket of each Pontoon. Inflate until firm (do not over inflate).
2. **Again, be sure top Valve Cap and Valve Assembly are fully seated.**

PONTOON DEFLATION: Unscrew entire Valve Assembly from Pontoon.

IV. ATTACH PONTOONS TO FRAME

NOTE: Always inflate the Pontoons first, before attaching to Frame.

1. Position inflated Pontoons under the Left and Right Frame Members with ODC SUPERSPORT logos oriented to the outside. The Frame Members fit around the Storage Pockets.
2. Attach Pontoons to Frame as illustrated in figures 3 and 3a. **NOTE:** Be sure the straps are pulled tight through the cam-lock buckles. Frame should be positioned forward or aft on the Pontoons to achieve center of gravity for an even ride when fully loaded on the water.

V. OAR & OARLOCK ASSEMBLY

1. Loosen the wingnut on the Oarlock and slide the Oarlock onto the handle end of the Oar Shaft.
2. Attach Blade end of Oar handle to end of Oar.
3. Place Oarlock shafts into Frame.
4. With the Oarlocks installed on the Frame, the oars should be equally adjusted left and right allowing at least two thumbs' distance between the oars, to avoid pinching your thumbs when rowing. With the Blades perpendicular to the water, tighten the wingnuts.

VI. ATTACH STRIPPING APRON TO FRAME

1. Snap front two straps around the frame underneath the Oarlocks, and snap the back two straps to the Right and Left Frame Members just behind Storage Pockets.

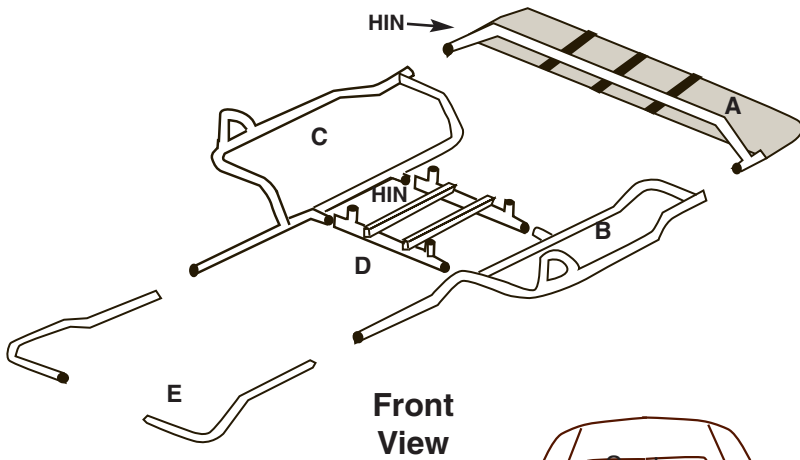


Fig. 1
Frame assembly

- A. Cargo Deck (Rear Frame Member with Mesh Cargo Deck; assembly required)
- B. Left Frame Member
- C. Right Frame Member
- D. Seat Support Frame Member
- E. Foot Bars

Front View

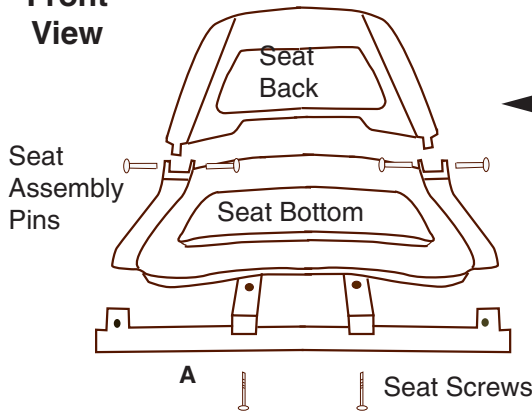


Fig. 1a
Seat assembly

- A. Seat Support Frame Member

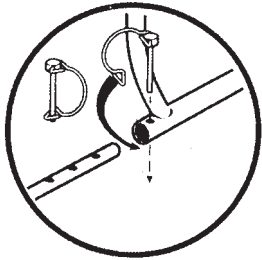
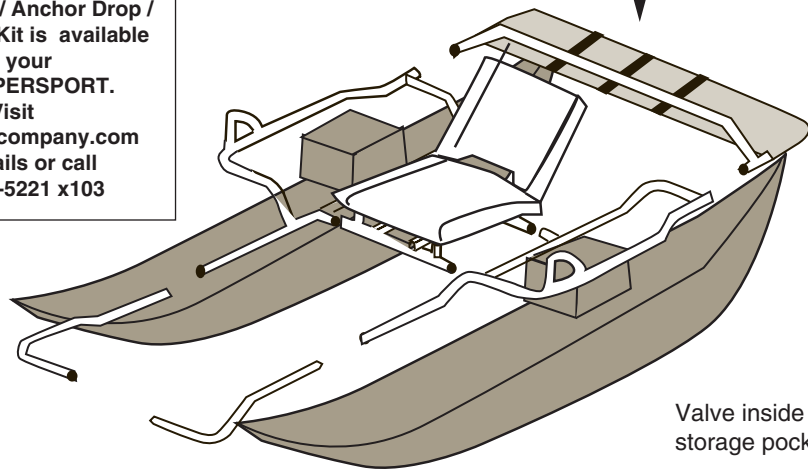


Fig. 2
Detail of Snap Pin installation

All Frame Parts attach with Snap Pins.
Your Frame assembles using (8) Short Snap Pins. Please follow instructions accordingly.

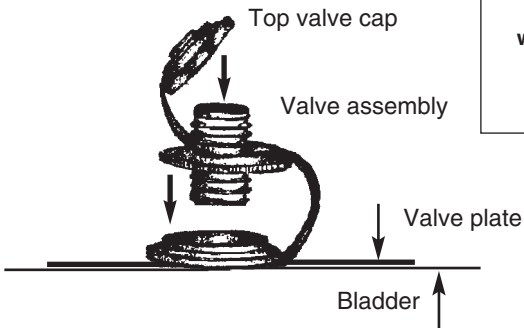
Motor Mount/ Anchor Drop / Rod Holder Kit is available for your ODC SUPERSPORT. Visit www.creekcompany.com for details or call 970-879-5221 x103

Fig. 3
Pontoon-to-frame attachment
Frame slips over two storage pockets



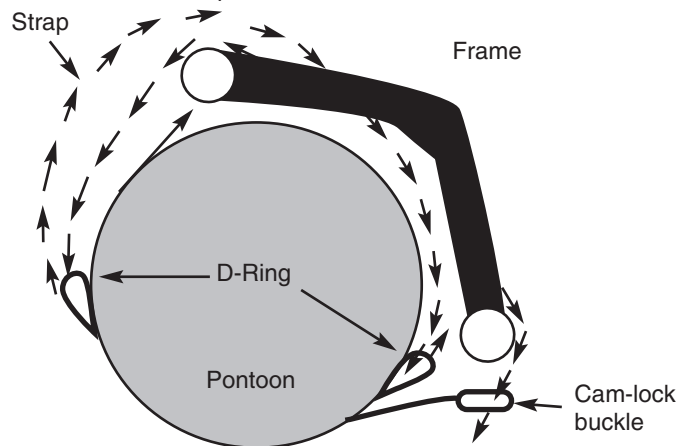
Valve inside storage pockets

Fig. 3b
Valve insert detail



Slide through Oarlocks and 6 1/2 foot Oars are available for your ODC SUPERSPORT. Visit www.creekcompany.com for details or call 970-879-5221 x103

Fig. 3a
Pontoon-to-frame attachment
Detail of strap and cam-lock buckle.



ODC SUPERSPORT™

OUTDOOR DISCOVERY CRAFT

Your ODC Outdoor Discovery Craft is designed to give you many years of service.

Please follow inflation instructions and warnings carefully.

IF YOU EVER HAVE ANY QUESTIONS OR PROBLEMS WITH YOUR ODC SUPERSPORT PLEASE DO NOT RETURN IT TO THE DEALER YOU BOUGHT IT FROM. PLEASE CONTACT THE CREEK COMPANY DIRECTLY TOLL FREE AT 1-800-843-8454. WE ARE OPEN M-F 9AM-5PM MOUNTAIN TIME. OR CONTACT US VIA E-MAIL AT INFO@CREEKCOMPANY.COM.

HIN (HULL IDENTIFICATION NUMBER) IS LOCATED ON SQUARE TUBING OF SEAT SUPPORT FRAME MEMBER AND ON RIGHT SIDE OF CARGO DECK (SEE FIGURE 1)

Warning:

Please read and follow carefully.

1. Always wear a US Coast Guard approved personal flotation device when in your ODC SUPERSPORT.
2. Never float alone.
3. Always check your ODC SUPERSPORT Air Bladders, Frame, Oar Components and Pontoons Covers for possible damage before you use your craft.
4. Never use your craft if you suspect the Air Bladders, Frame, Oar Components and Pontoons Covers has been damaged.
5. Never overinflate your ODC SUPERSPORT.
6. Never use you ODC SUPERSPORT without the Air Bladders fully inflated.

CARE AND MAINTENANCE:

1. If your Air Bladder is losing air, please check that valve assembly and top valve cap are fully seated. Reseat valve assembly and repeat pontoon inflation instructions.
2. Do not store your ODC SUPERSPORT in direct sunlight.
3. If you are leaving you ODC SUPERSPORT out in the sun for any amount of time, be aware that the heat can increase the pressure inside the pontoons to a dangerous level. Let some of the air out of the Pontoons if the craft will be out of the water in the sun for any length of time, or if it is stored in a vehicle, etc.
4. A gain in altitude will increase the pressure in the Pontoons also. If you are taking your inflated ODC SUPERSPORT from a low elevation to a high elevation, be sure to let some of the air out of it.
5. For short term storage, we recommend you let some air out of your Pontoons.
6. For long term storage, we recommend you make sure your ODC SUPERSPORT is completely dry, deflated and stored out of the sunlight in a cool dry area.
7. Repairing bladder, use enclosed patch kit. Identify puncture. Fully deflate bladder. Clean and dry area around puncture. Apply glue to puncture area and patch using applicator straw. Press patch over puncture area. Allow 24 hours to dry, before inflating.
8. Note: Metal parts may rust and are not covered under warranty.



Accessories are available for your ODC SUPERSPORT. Ask for them where you bought your ODC SUPERSPORT, or visit the Creek Company Store at www.creekcompany.com

The Creek Company Ltd. , PO Box 773892, Steamboat Springs, CO 80477

email: info@creekcompany.com

Specifications and other details subject to change without notice.

All Creek Company products are guaranteed against defects in material and workmanship for the life of the product to the original owner. This does not cover damage due to misuse or normal wear and tear.

Made in China