

Inflating Your Original U-BOAT®

- Valve for the main bladder is located in right hand pocket.
- Valve for backrest bladder is located in back top pocket.

ILLUSTRATION 1 • TOP VIEW

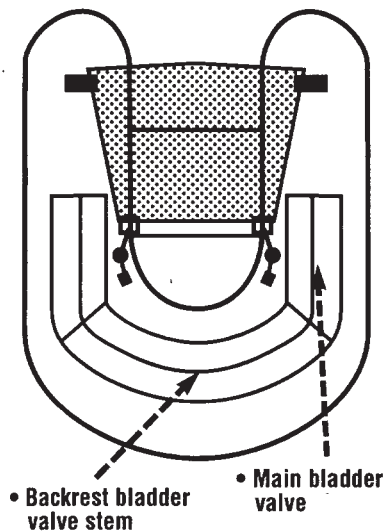


ILLUSTRATION 2 • BACK & SIDE VIEWS

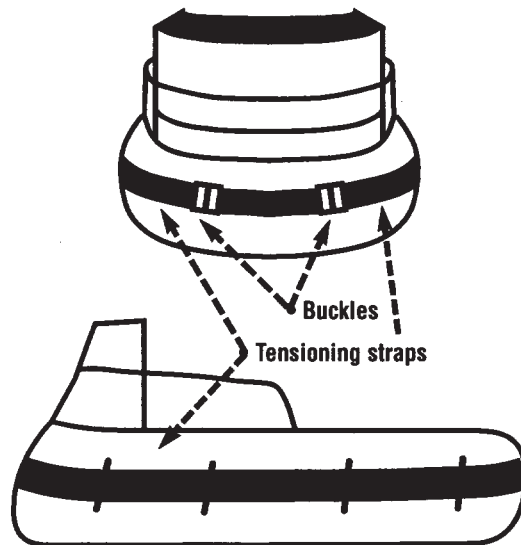
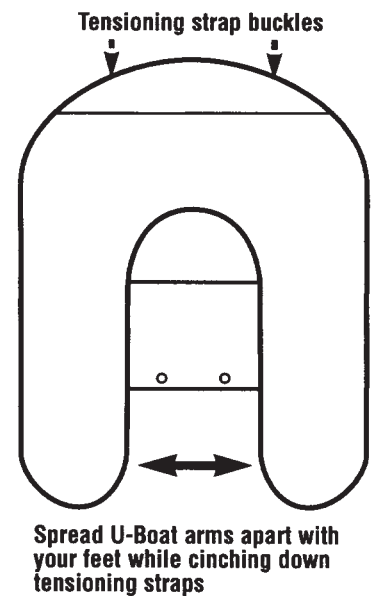


ILLUSTRATION 3 • BOTTOM VIEW



Step 1. Lay uninflated U-Boat flat on ground, pockets up (see illustration 1).

Step 2. Undo buckles on tensioning straps at rear of tube (see illustration 2).

Step 3. Inflate main bladder until firm (do not overinflate). Tube will be firm to the touch and most wrinkles will be gone from the skin when it has reached the proper pressure.

Step 4. Stand U-Boat on ends of its arms, with bottom of tube facing you. Reattach tensioning strap buckles. While spreading arms of U-Boat apart with your feet, cinch down tensioning straps tightly (see illustration 3).

Step 5. Inflate backrest until it is firm.

Step 6. To Deflate Main Bladder, unscrew entire valve assembly. To Deflate Backrest Bladder, remove plug from valve stem and open flap at inside base of valve stem.

How to attach & use the included Backpack Straps:

Step 1. Attach one end of straps to D-rings on the bottom of the seat (see "A" in illustration below).

Step 2. Thread other end of straps through opening between the back of the seat and the tube (see "B" below).

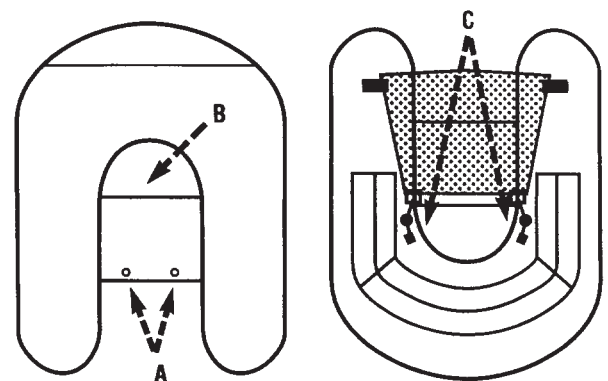
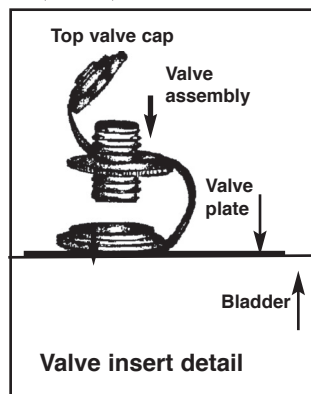
Step 3. Attach the other end of the straps to the same D-rings that the stripping apron bungee cords are attached to (see "C" below).

Tube should be carried with the bottom of the tube against your back and the arms of the tube pointing down.

Adjust pack straps for your personal fit.



- Accessories are available for your U-Boat®. Ask for them where you bought your U-Boat®. Or write for a free color catalog and price list.
- Or visit the Creek Company store at www.creekcompany.com
- The Creek Company, Ltd., PO box 773892, Steamboat Springs, CO 80477.
- U Boat® is a registered trademark of The Creek Company
- E-mail: info@creekcompany.com



Bottom and top views, showing backpack strap attachment procedure



The Original U-BOAT®

YOUR ORIGINAL U-BOAT® INCLUDES:

- | | |
|---|---------------------------------|
| (1) U-Boat Nylon Skin | (1) Main Bladder (inserted) |
| (1) Detachable Stripping Apron (attached) | (1) Warranty Card |
| (1) Backrest Bladder (inserted) | (2) Foam Fly Patches (attached) |
| (1) Pair Backpack Straps | (1) Air Bladder Patch Kit |

Your U Boat® is designed to give you many years of service.

Please follow inflation instructions and warnings carefully.

If you ever have any questions or problems with your U-Boat please call

The Creek Company at (970) 879-5221 or E-mail us at info@creekcompany.com

We are open 9am- 5 pm, Mountain Time, Monday - Friday.

Warning:

Please read and follow carefully.

1. Always wear a US Coast Guard approved personal floatation device when in your U-Boat®.
2. The U-Boat is intended for use in stillwaters only. **Never** use your U-Boat in moving waters.
3. **Never float alone.**
4. Always check your U-Boat air bladders, nylon skin and stitching for possible damage before you use your U-Boat.
5. Never use your U-Boat if you suspect the air bladders, nylon skin or stitching has been damaged.
6. Never overinflate your U-Boat.
7. Never use your U-Boat without the backrest bladder fully inflated.

Care and Maintenance:

1. In case of puncture, air bladder patch kit is included.
2. Do not store your U-Boat® in direct sunlight.
3. If you are leaving your U-Boat out in the sun for any amount of time, be aware that the heat can increase the pressure inside the tube to a dangerous level. Let some of the air out of the tube if it will be out of the water in the sun for any length of time, or if it is stored in a vehicle, etc.
4. A gain in altitude will increase the pressure in the tube also. If you are taking your inflated U-Boat from a low elevation to a high elevation, be sure to let some of the air out of it.
5. For short term storage, we recommend you let some of the air out of your U-Boat.
6. For long term storage, we recommend you make sure your U-Boat is completely dry, deflated and stored out of the sunlight in a cool, dry area.