



ODC SPORT LT™ OUTDOOR DISCOVERY CRAFT™

ASSEMBLY INSTRUCTIONS

THIS BOX CONTAINS:

STEEL FRAME

- | | |
|-------------------------------|------------------------|
| (1) Left Frame Member | (1) Right Frame Member |
| (1) Seat Support Frame Member | (1) Plastic Seat Back |
| (1) Plastic Seat Bottom | (2) Seat Assembly Pins |
| (4) Seat Screws | (2) Foot Bars |
| (1) Rear Frame Member | (1) Mesh Cargo Deck |
| (1) Stripping Apron | (8) Snap Pins |

OARS & OARLOCKS

- (1) Pair 6-foot 2 piece Oars
- (1) Pair Clamp-on Oarlocks
- (2) Oarlock Bushings

PONTOONS

- (1) Left Pontoon
- (1) Right Pontoon

Each Pontoon consists of Nylon Cover with PVC bottom featuring integral Side Storage Pockets, Straps and Cam-lock Buckles to secure the Frame; and Main Bladder with Valve Insert and Valve Plate all preassembled.

PATCH KIT

WARRANTY CARD

ODC SPORT LT™

OUTDOOR DISCOVERY CRAFT™

ASSEMBLY INSTRUCTIONS

I. PLASTIC SEAT ASSEMBLY

1. Assemble Seat Back to Seat Bottom using Seat Assembly Pins (see figure 1a).

II. ASSEMBLE FRAME

NOTE: Your Frame Assembles using (8) Snap Pins. Please follow instructions accordingly.

1. Assemble Cargo Deck by sliding Mesh Cargo Deck over Rear Frame Member (see figure 1) and secure using attached Hook and Loop and Ladder Lock/ Strap Fasteners.
2. Assemble Seat to Seat Support Frame Member using (4) Seat Screws. (See Figure 1a)
3. Assemble Seat Support Frame Member to Left and Right Frame Members using (4) of the Short Pins. (see figure 1)
4. Assemble Cargo Deck to Left and Right Frame Members using (2) Snap Pins (see figure 1).
5. Assemble Foot Bars to Left and Right Frame Members using (2) Snap Pins (see figures 1).

III. PONTOON INFLATION

NOTE: Use double action pump with Boston Valve adapters (Not Included), available from the Creek Company. Or use any standard double action pump.

1. Inflate each Pontoon. The Valve is located inside the Storage Pocket of each Pontoon.(see figure 3). Inflate until firm (do not over inflate).
2. Be sure top Valve Cap and Valve Assembly are fully seated.

PONTOON DEFLATION: Unscrew entire Valve Assembly from Pontoon.

IV. ATTACH PONTOONS TO FRAME

NOTE: Always inflate the Pontoons first, before attaching to Frame.

1. Position inflated Pontoons under the Left and Right Frame Members with ODC SPORT LT™ logos oriented to the outside. The Frame Members fit around the Storage Pockets.
2. Attach Pontoons to Frame as illustrated in figures 3 and 3a. Note: Be sure the Straps are pulled tight through the Cam-lock Buckles. Frame should be positioned forward or aft on the Pontoons to achieve center of gravity for an even ride when fully loaded on the water.

V. OAR & OARLOCK ASSEMBLY

1. Loosen the wingnut on the Oarlock and slide the Oarlock onto the handle end of the Oar Shaft.
2. Attach Blade end of Oar to end of Oar Handle.
3. Place Oarlock Shafts into Frame.
4. With the Oarlocks installed on the Frame, the oars should be equally adjusted left and right allowing at least two thumbs' distance between the Oars, to avoid pinching your thumbs when rowing. With the blades perpendicular to the water, tighten the wingnuts.

VI. ATTACH STRIPPING APRON TO FRAME

1. Snap front two Straps around the Frame underneath the Oarlocks, and snap the back two straps to the Right and Left Frame Members just behind the Storage Pockets

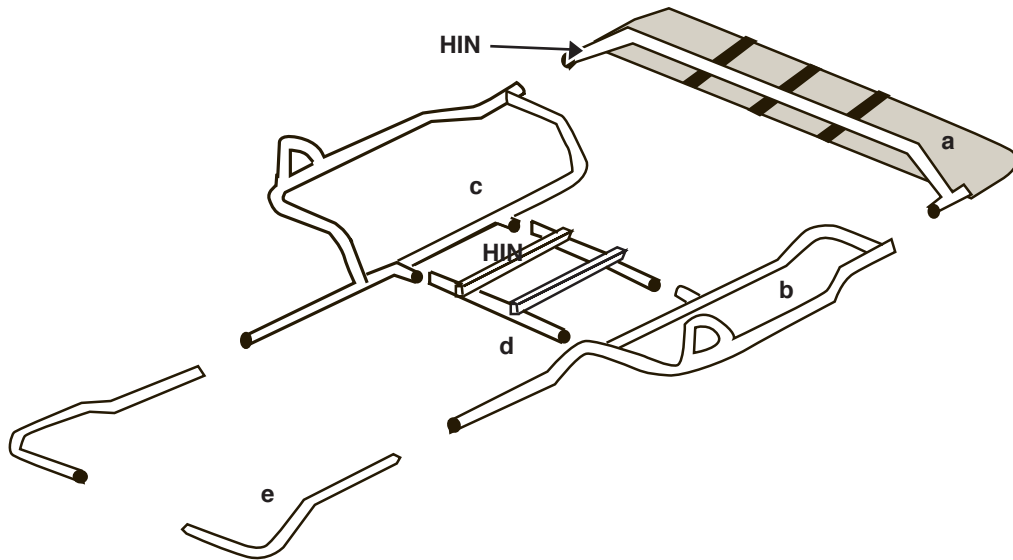


Fig. 1
Frame assembly
 a. Cargo Deck (Rear Frame Member with Mesh Cargo Deck) (assembly required)
 b. Left Frame Member
 c. Right Frame Member
 d. Seat Support Frame Member
 e. Foot Bars

Accessories are available for your ODC Sport LT™
 Visit www.CreekCompany.com for details or call 970-879-5221 x 300

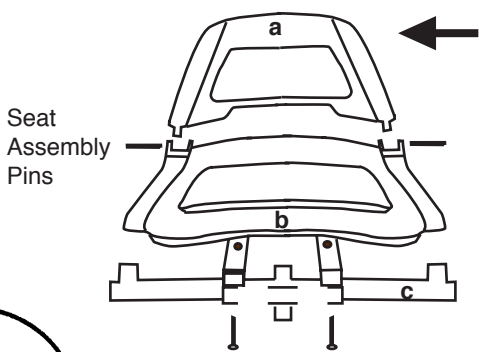


Fig. 1a
Seat Frame assembly
 a. Plastic Seat Back
 b. Plastic Seat Bottom
 c. Seat Support Member

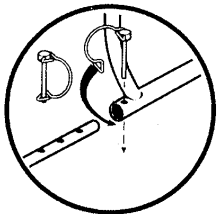
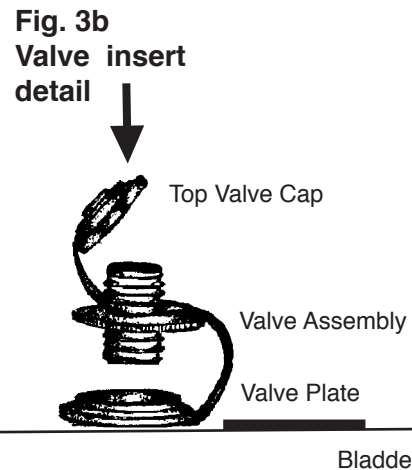
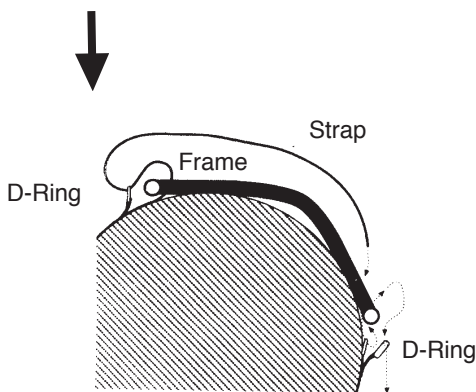
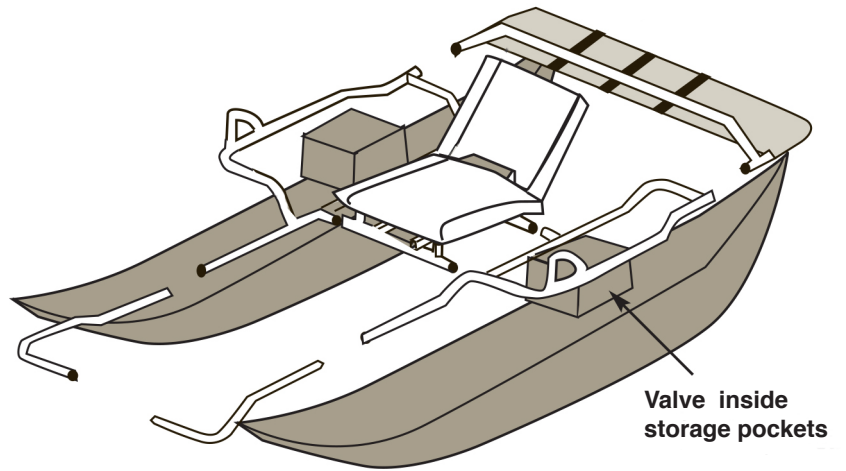


Fig. 2
Detail of Snap Pin installation
 All Frame parts attach with Snap Pins. Your Frame assembles using (8) Snap Pins. Please follow instructions accordingly.

Fig. 3
Pontoon-to-Frame attachment
 Frame slips over two Storage Pockets



Bladder

ODC SPORT LT™ OUTDOOR DISCOVERY CRAFT™

Your ODC Outdoor Discovery Craft™ is designed to give you many years of service.
Please follow inflation instructions and warnings carefully.

IF YOU EVER HAVE ANY QUESTIONS OR PROBLEMS WITH YOUR ODC SPORT LT™ PLEASE DO NOT RETURN IT TO THE DEALER YOU BOUGHT IT FROM. PLEASE CONTACT THE CREEK COMPANY DIRECTLY AT 970-879-5221.

WE ARE OPEN M-F 9AM-5PM MOUNTAIN TIME. OR CONTACT US VIA E-MAIL AT INFO@CREEKCOMPANY.COM.

HIN is located on square tubing of seat support frame member and on right main frame member (See Figure 1)

Your Creek Company Sport LT™ is guaranteed against defects in material and workmanship for the life of the product to the original owner. This does not cover damage due to misuse or normal wear and tear.

Warning:

Please read and follow carefully.

1. Always wear a US Coast Guard approved personal flotation device when in your ODC SPORT LT™.
2. Never float alone.
3. Always check your ODC SPORT LT™ Air Bladders, Frame, Oar Components and Pontoon Covers for possible damage before you use your craft.
4. Never use your craft if you suspect the Air Bladders, Frame, Oar Components or Pontoon Covers have been damaged.
5. Never overinflate your ODC SPORT LT™.
6. Never use your ODC SPORT LT™ without the Air Bladders fully inflated.
7. Your ODC Sport LT™ is not designed for use in salt water.

CARE AND MAINTENANCE:

1. If your Pontoon Bladder is losing air, please check that Valve Assembly and Top Valve Cap are fully seated. Reseat valve assembly and repeat pontoon inflation instructions.
2. Do not store your ODC SPORT LT™ in direct sunlight.
3. If you are leaving your ODC SPORT LT™ out in the sun for any amount of time, be aware that the heat can increase the pressure inside the Pontoons to a dangerous level. Let some of the air out of the pontoons if the craft will be out of the water in the sun for any length of time, or if it is stored in a vehicle, etc.
4. A gain in altitude will increase the pressure in the Pontoons also. If you are taking your inflated ODC SPORT LT™ from a low elevation to a high elevation, be sure to let some of the air out of it.
5. For short term storage, we recommend you let some air out of your pontoons.
6. For long term storage, we recommend you make sure your ODC SPORT LT™ is completely dry, deflated and stored out of the sunlight in a cool dry area.. Do not store your wet ODC SPORT LT™ in freezing temperatures as this may result in Frame and other component damage.
7. Repairing Bladder, use enclosed patch kit. Identify puncture. Fully deflate Bladder. Clean and dry area around puncture. Apply glue to puncture area and patch using applicator straw. Press patch over puncture area. Allow 24 hours to dry, before inflating.
8. Note: Metal parts may rust and are not covered under warranty.
9. We recommend the use of electric trolling motors only on your SPORT LT™
10. Do not use the Cargo Deck as a Standing Platform. It is not designed for this and may break if used in this capacity.

View instructional video at www.creekcompany.com



Accessories are available for your ODC SPORT LT™.
Ask for them where you bought your ODC SPORT LT™, or visit the
Creek Company Store at www.CreekCompany.com

Creek Company, PO Box 773892, Steamboat Springs, CO 80477

email: info@CreekCompany.com

Made in China

Specifications and other details subject to change without notice.