



# U-Boat® 2000 Super Combo

## YOUR U-BOAT 2000 SUPER COMBO INCLUDES:

- |   |                                    |
|---|------------------------------------|
| (1) U-Boat® 2000 Nylon Cover              | (1) Warranty Card                  |
| (1) Detachable Stripping Apron (attached) | (1) Double Action High Volume Pump |
| (1) Backrest Bladder (inserted)           | (1) Pair Fins                      |
| (1) Main Bladder (inserted)               | (1) Air Bladder Patch kit          |

Your U-Boat® 2000 Super Combo is designed to give you many years of service. Please follow inflation instructions and warnings carefully. If you ever have any questions or problems with your U-Boat® 2000 Super Combo please call The Creek Company at 970-879-5221 or email us at [info@creekcompany.com](mailto:info@creekcompany.com). We are open 9am-5pm, Mountain Time, Monday-Friday

## Warning:

Please read carefully.

1. Always wear a US Coast Guard approved personal flotation device when in your U-Boat® 2000.
2. The U-Boat® 2000 is intended for use in stillwaters only. **Never use your U-Boat® 2000 in moving waters.**
3. **Never float alone.**
4. Always check your U-Boat® 2000 air bladders, nylon cover and stitching for possible damage before you use your U-Boat® 2000.
5. Never use your U-Boat® 2000 if you suspect the air bladders, nylon cover or stitching has been damaged.
6. Never overinflate your U-Boat® 2000
7. Never use your U-Boat® 2000 without the backrest bladder fully inflated.

## Care and Maintenance:

1. In case of puncture, air bladder patch kit is included.
2. Do not store your U-Boat® 2000 in direct sunlight.
3. If you are leaving your U-Boat® 2000 out in the sun for any amount of time, be aware that the heat can increase the pressure inside the tube to a dangerous level. Let some of the air out of the tubes if it will be out of the water in the sun for any length of time, or if it is stored in a vehicle, etc.
4. A gain in altitude will increase the pressure in the tube, also. If you you are taking your inflated U-Boat® 2000 from a low to a high elevation, be sure to let some of the air out.
5. For short term storage, we recommend you let some of the air out of your U-Boat® 2000.

# Inflating Your U-BOAT® 2000

- Valve for the main bladder is located in right hand pocket.
- Valve for backrest bladder is located on top of backrest.

ILLUSTRATION 1 • TOP VIEW

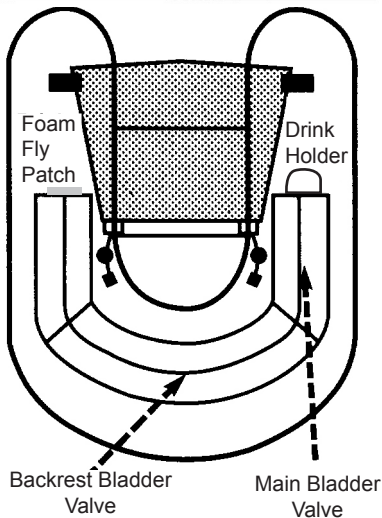


ILLUSTRATION 2 • BACK & SIDE VIEWS

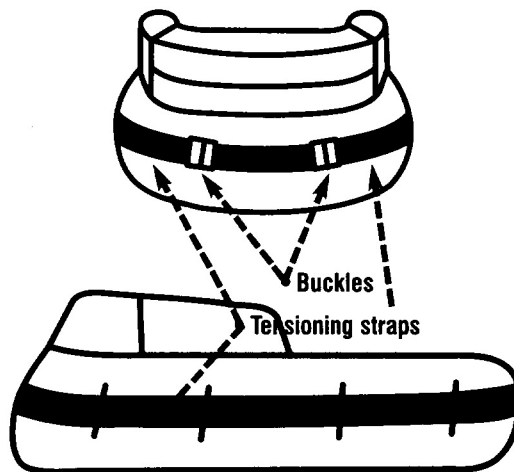
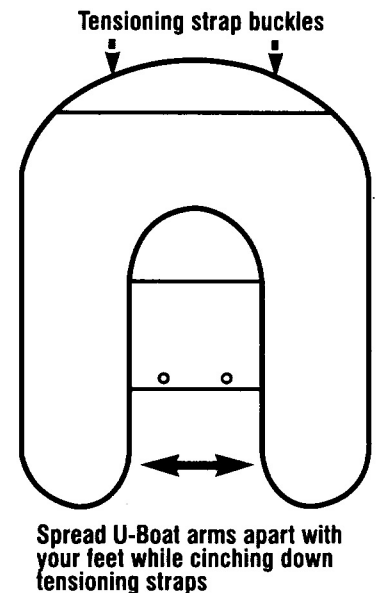


ILLUSTRATION 3 • BOTTOM VIEW



**Step 1.** Lay uninflated U-Boat flat on ground, pockets up (see illustration 1).

**Step 2.** Undo buckles on tensioning straps at rear of tube (see illustration 2).

**Step 3.** Inflate main bladder until firm (do not overinflate). Tube will be firm to the touch and most wrinkles will be gone from the skin when it has reached the proper pressure.

**Step 4.** Stand U-Boat on its arms, with bottom of tube facing you. Reattach tensioning strap buckles. While spreading arms of U-Boat apart with your feet, cinch down tensioning straps tightly (see illustration 3).

**Step 5.** Inflate backrest until it is firm.

**Step 6.** To Deflate Main Bladder, unscrew entire valve assembly. To Deflate Backrest Bladder, remove plug from valve stem and open flap at inside base of valve stem.



Accessories are available for your U-BOAT® Ask for them where you bought your U-BOAT® FLOAT TUBE, or visit the Creek Company Store at [www.CreekCompany.com](http://www.CreekCompany.com)  
 The Creek Company Ltd., PO Box 773892, Steamboat Springs, CO 80477  
 970-879-5221 • fax 970-879-7577 • email: [info@CreekCompany.com](mailto:info@CreekCompany.com)  
 U-BOAT® is a registered trademark of the Creek Company.com  
 US Patent #5217400  
 Made in China • Fins and Pump Made in Taiwan

Valve Inset Detail

